

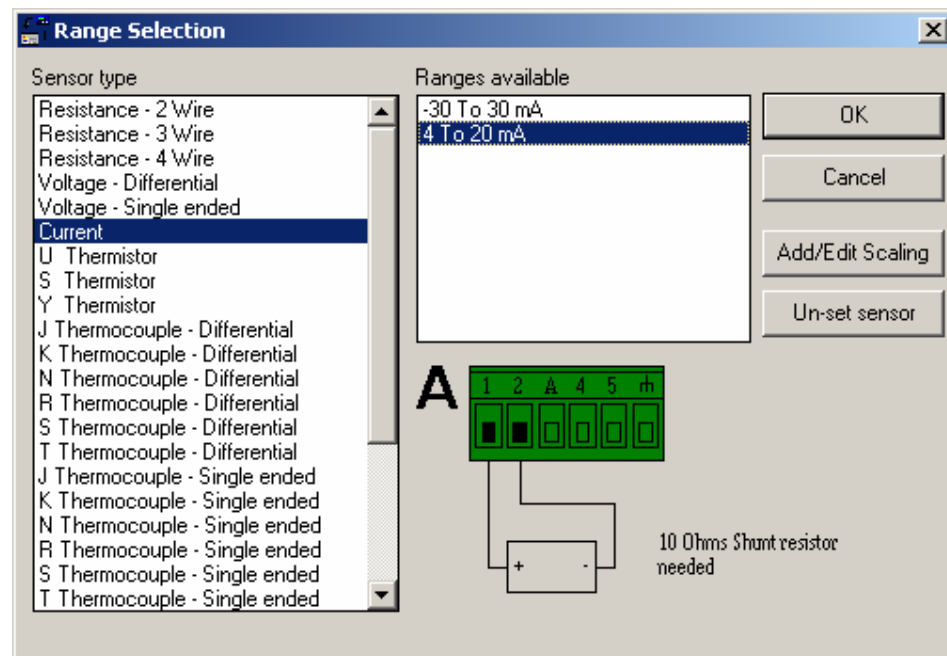
DATA ACQUISITION

Hints and Tips



4 to 20 mA connection to Squirrel SQ2010/SQ2020/2040

In logger Set-up screen double click in Sensor Type column of input channel required (Block A is shown) but can be A, B, C, D, G, H, J or K input block. Select range as below then click OK.



If engineering units are required click on Add/Edit Scaling button
Example below shows input scaled to log as 0 to 10 bar pressure.

Grant Instruments
(Cambridge) Ltd
Shepreth
Cambridgeshire
SG8 6GB

Tel: 01763 260811
Fax: 01763 262410
www.grant.co.uk

Reference No:

DATA ACQUISITION

Hints and Tips



Scaling Range

Enter the new values for the base range maximum, minimum, units and number of decimal places.

Display: as:

Display: as:

Display Units of: mA as:

Decimal Places:

Range Preview

	Base Range	New Range
Range Maximum:	20 mA	10.00 bar
Range Minimum:	4 mA	0.00 bar

OK Cancel

Range Selection

Sensor type

- Resistance - 2 Wire
- Resistance - 3 Wire
- Resistance - 4 Wire
- Voltage - Differential
- Voltage - Single ended
- Current**
- U Thermistor
- S Thermistor
- Y Thermistor
- J Thermocouple - Differential
- K Thermocouple - Differential
- N Thermocouple - Differential
- R Thermocouple - Differential
- S Thermocouple - Differential
- T Thermocouple - Differential
- J Thermocouple - Single ended
- K Thermocouple - Single ended
- N Thermocouple - Single ended
- R Thermocouple - Single ended
- S Thermocouple - Single ended
- T Thermocouple - Single ended

Ranges available

- 30 To 30 mA
- 4 To 20 mA
- 0 To 10 bar (S.R.)**

OK Cancel

Add/Edit Scaling Un-set sensor

A

10 Ohms Shunt resistor needed

Grant Instruments (Cambridge) Ltd
 Shepreth
 Cambridgeshire
 SG8 6GB

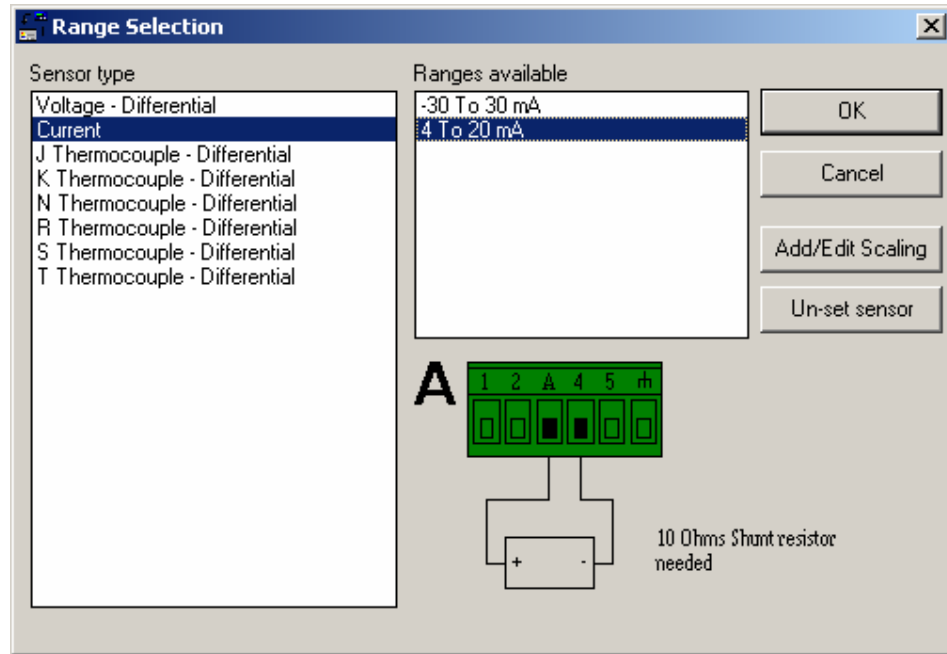
Tel: 01763 260811
 Fax: 01763 262410
 www.grant.co.uk

For next sensor (Up to two sensors can be connected to each block)
 Double click in next valid channel Sensor Type column Select range as below add scaling if required then click OK

Reference No:

DATA ACQUISITION

Hints and Tips



If more sensors are required, repeat above procedure with next channel on the next input block.
Save and send set up to logger.

Connect sensor wires as follows

Check colour code for sensors selected to ensure that probes are connected to correct polarity.
Connect probes with precision 10 Ohm resistor (pack of four, Grant Instruments Part number CS202 supplied with logger) across terminals as shown below.

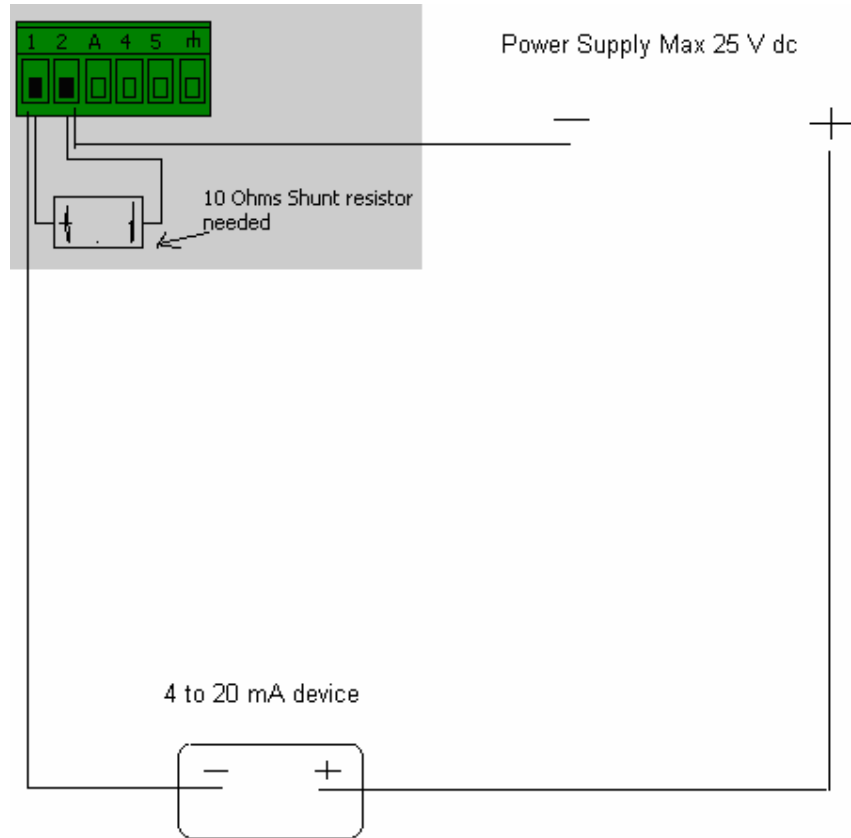
**Grant Instruments
(Cambridge) Ltd**
Shepreth
Cambridgeshire
SG8 6GB

Tel: 01763 260811
Fax: 01763 262410
www.grant.co.uk

Reference No:

DATA ACQUISITION

Hints and Tips



Sensors can be powered via the SQ2020/2040 if required.
Maximum supply voltage is 18Vdc (supply volts) & total maximum current 100mA.

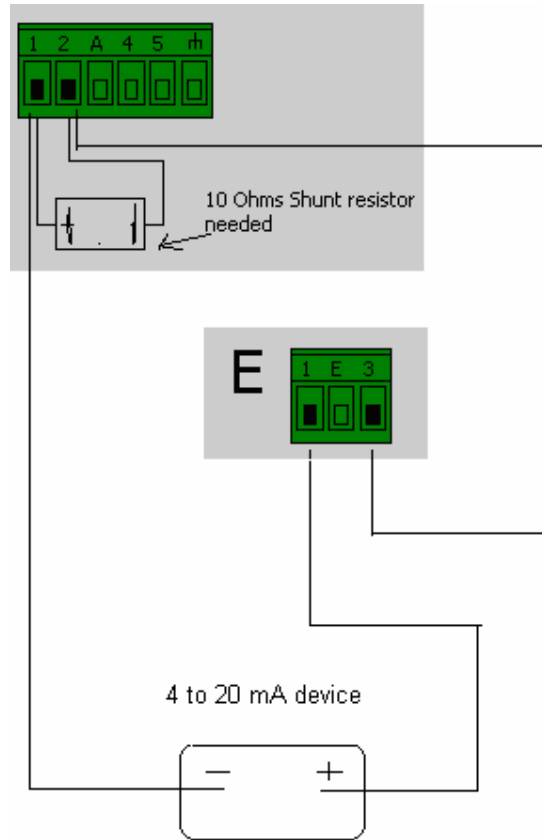
**Grant Instruments
(Cambridge) Ltd**
Shepreth
Cambridgeshire
SG8 6GB

Tel: 01763 260811
Fax: 01763 262410
www.grant.co.uk

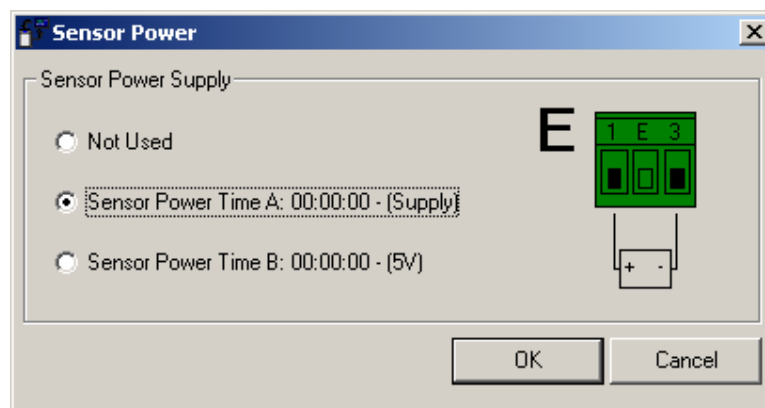
Reference No:

DATA ACQUISITION

Hints and Tips



To activate Sensor Power Supply double click in logger Set-up screen in Sensor Power column of the input channel and select as below.



Click OK

In Logger Control Tab set Sensor Power Timer A (Supply) to time interval or continuous.
Save and send set up to logger.

Reference No:

**Grant Instruments
(Cambridge) Ltd**
Shepreth
Cambridgeshire
SG8 6GB

Tel: 01763 260811
Fax: 01763 262410
www.grant.co.uk